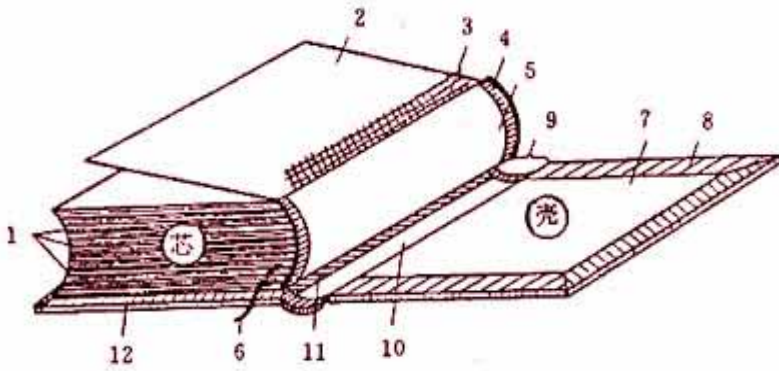


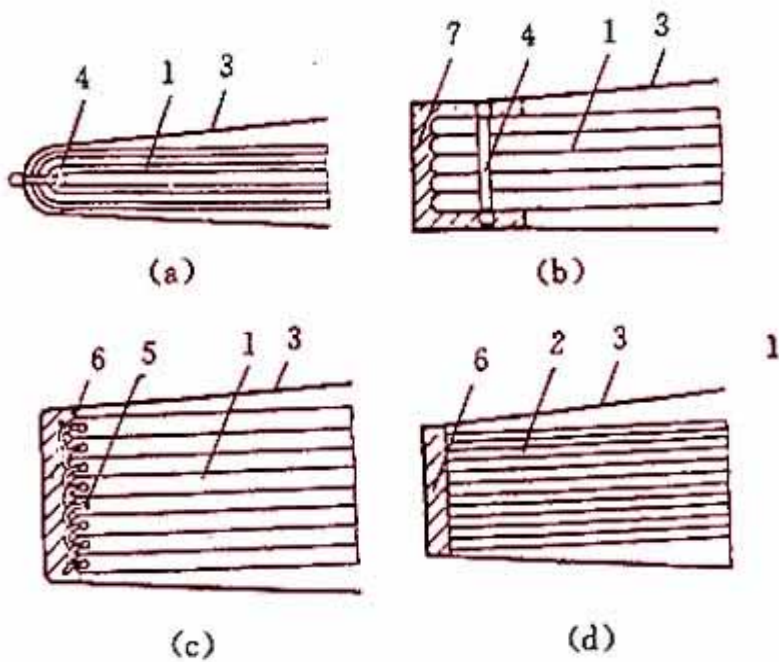
Hard Cover Book binding Notes:



block- book block board-book case:

- 1-book section 2-end paper
- 3-book backing lining 4-headband
- 5-book backing paper 6-book spine
- 7-paper board 8-overlapping
- 9-inner book waist 10-Center paper
- 11-book groove 12-overhangcover edges

Soft Cover Books binding Notes:



As left picture 1-11 The structure of softcover book:

- (a)- saddle stitching (b)- wire-stitching
- (c)- sewing (d)- perfect binding

block- book block board-book case:

- 1- book section 2- book page
- 3- book cover 4- gutter
- 5- sew

6, 7- glue

Binding supplies

